

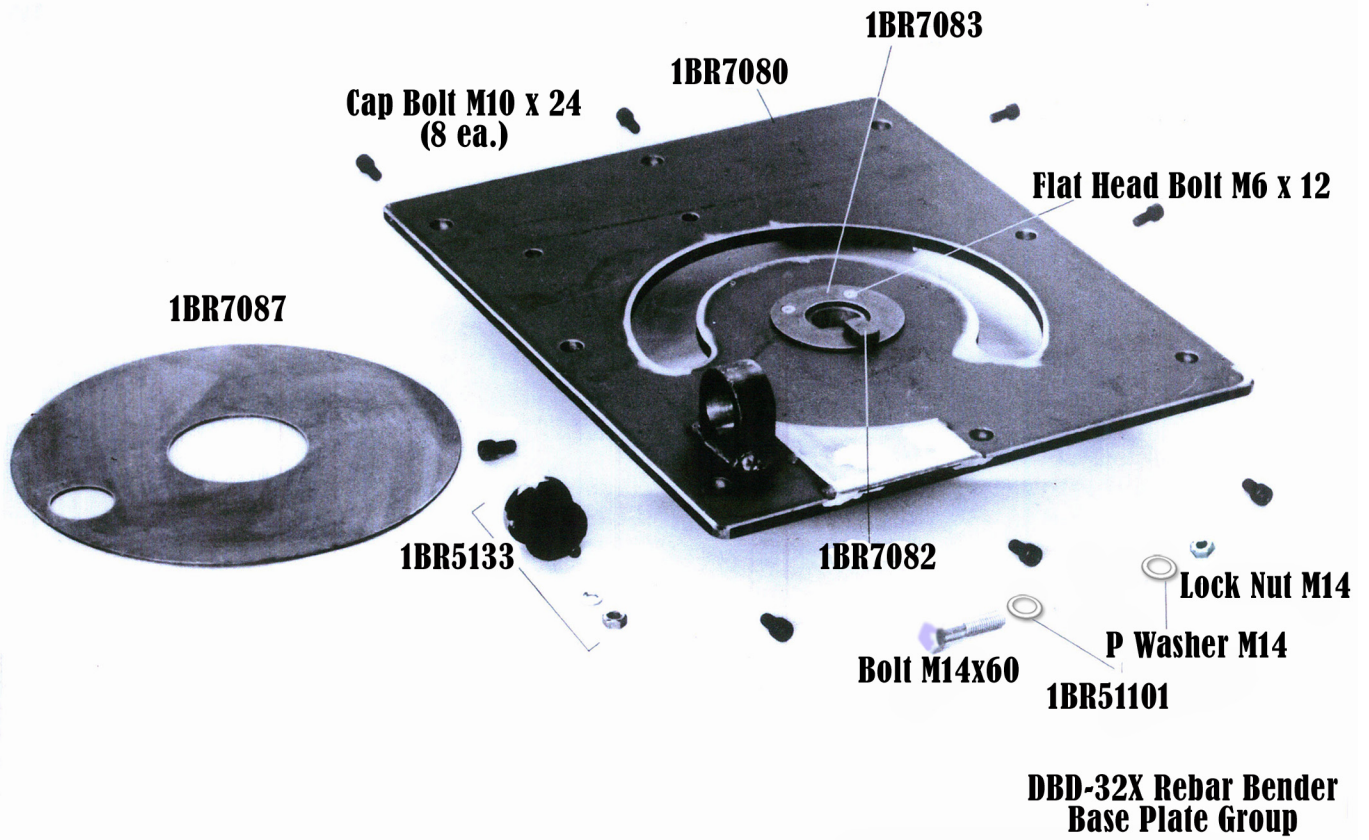
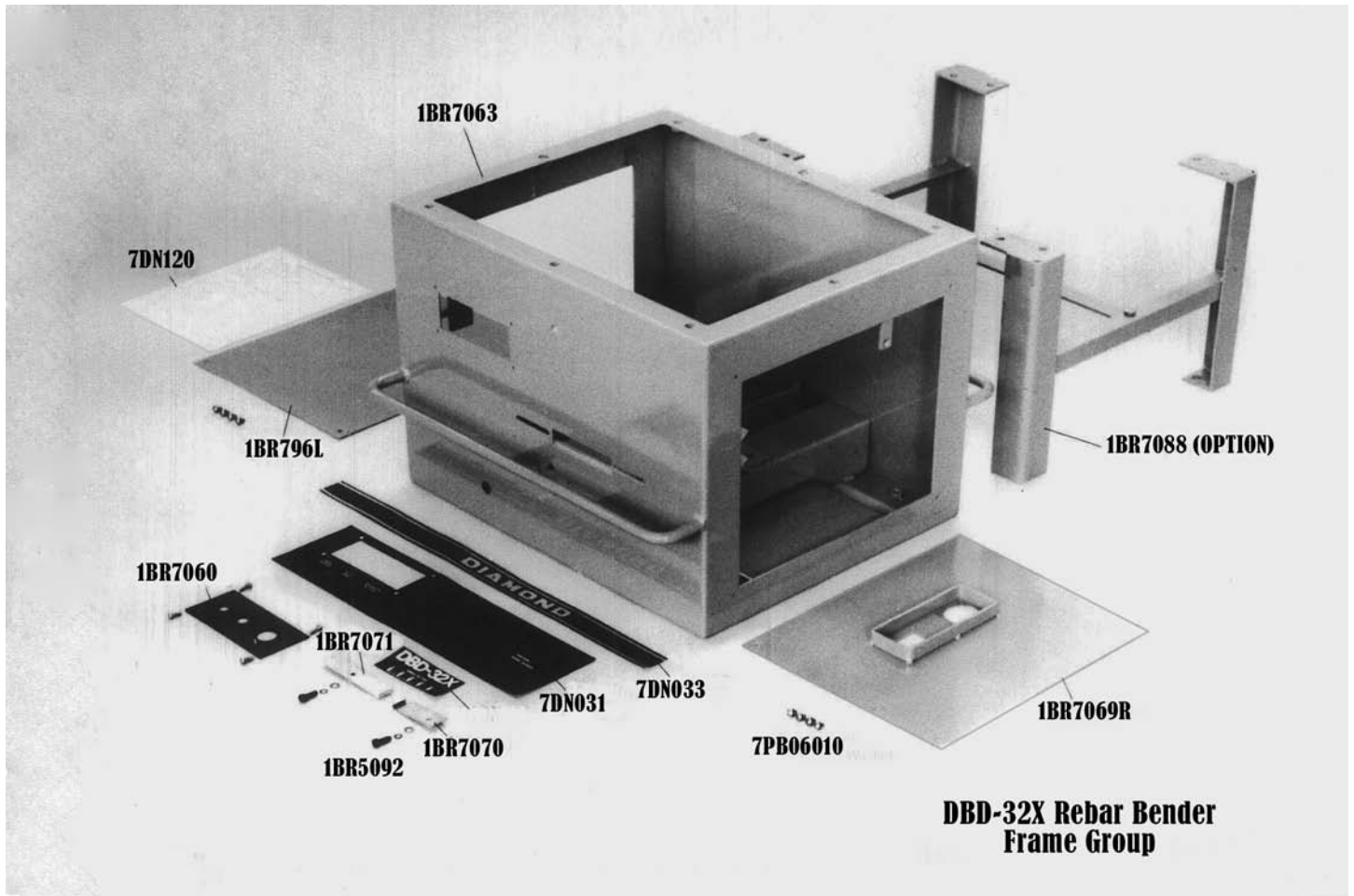


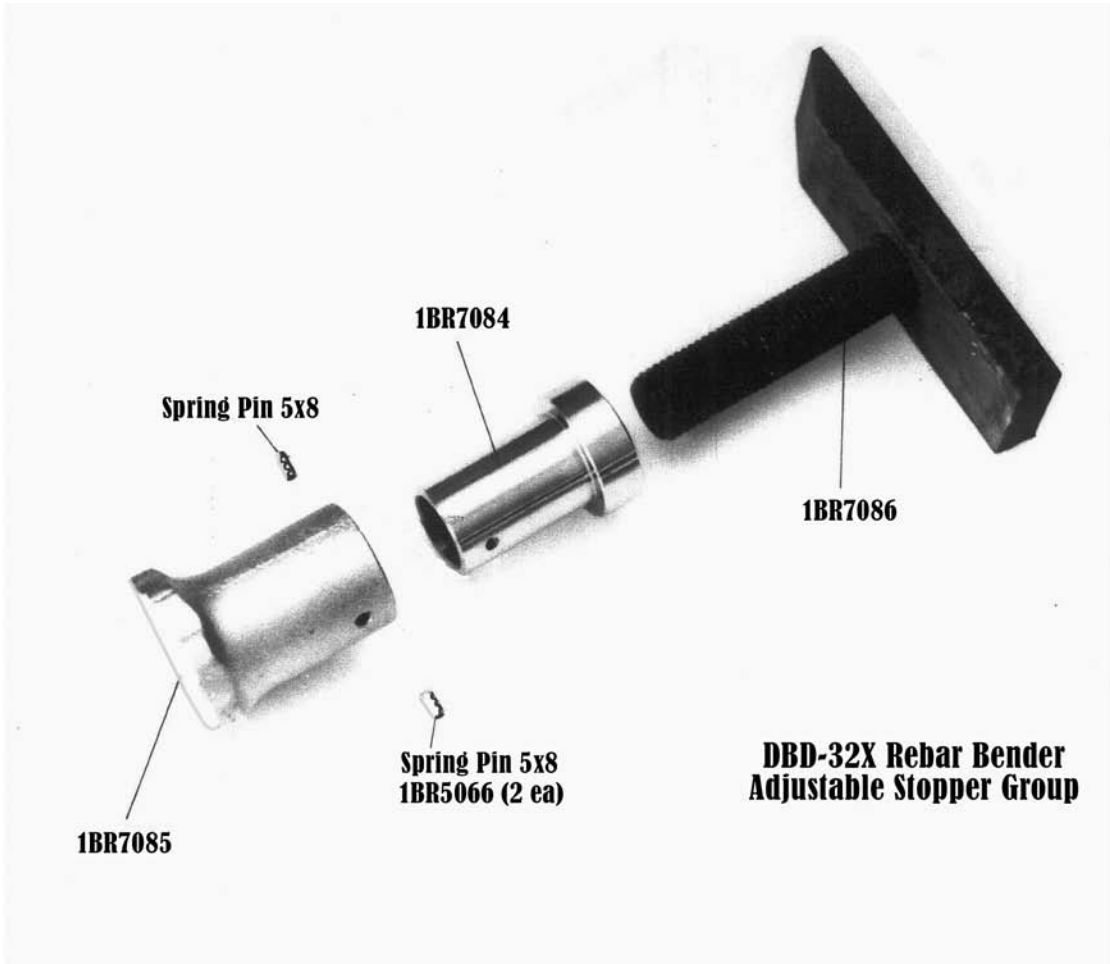
**Benner-Nawman, Inc.**

3450 Sabin Brown Road • Wickenburg, Arizona 85390  
(800) 992-3833 • (928) 684-2813 • [www.bnproducts.com](http://www.bnproducts.com)

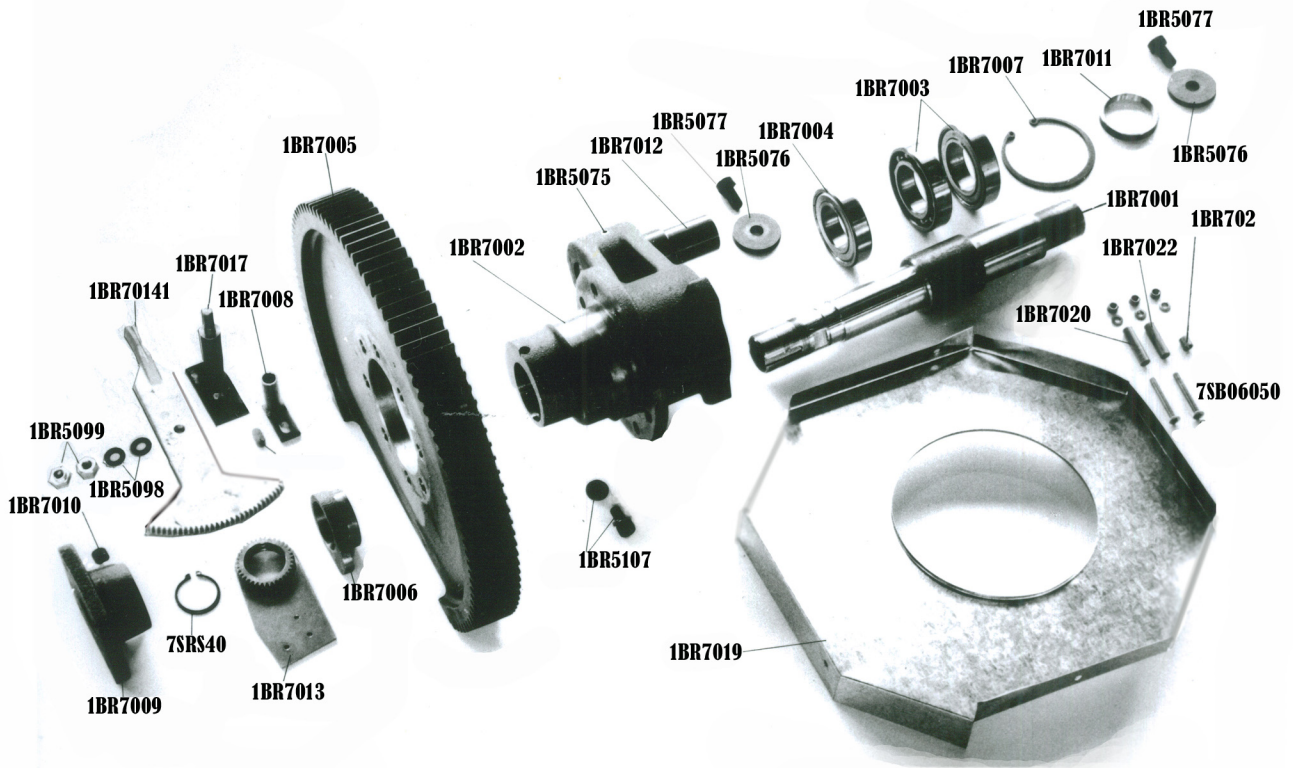
# DBD-32 Parts Breakdown Information



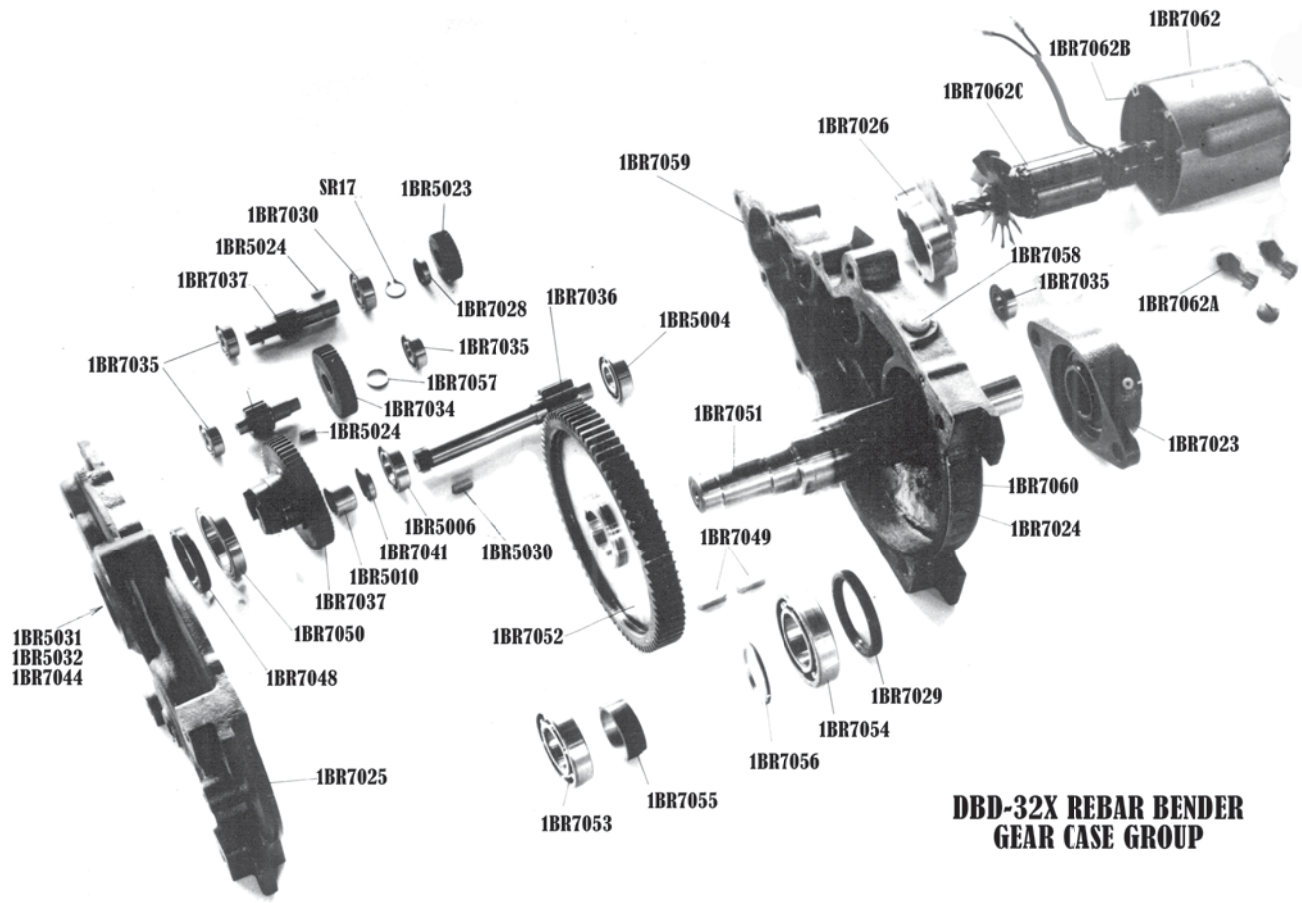




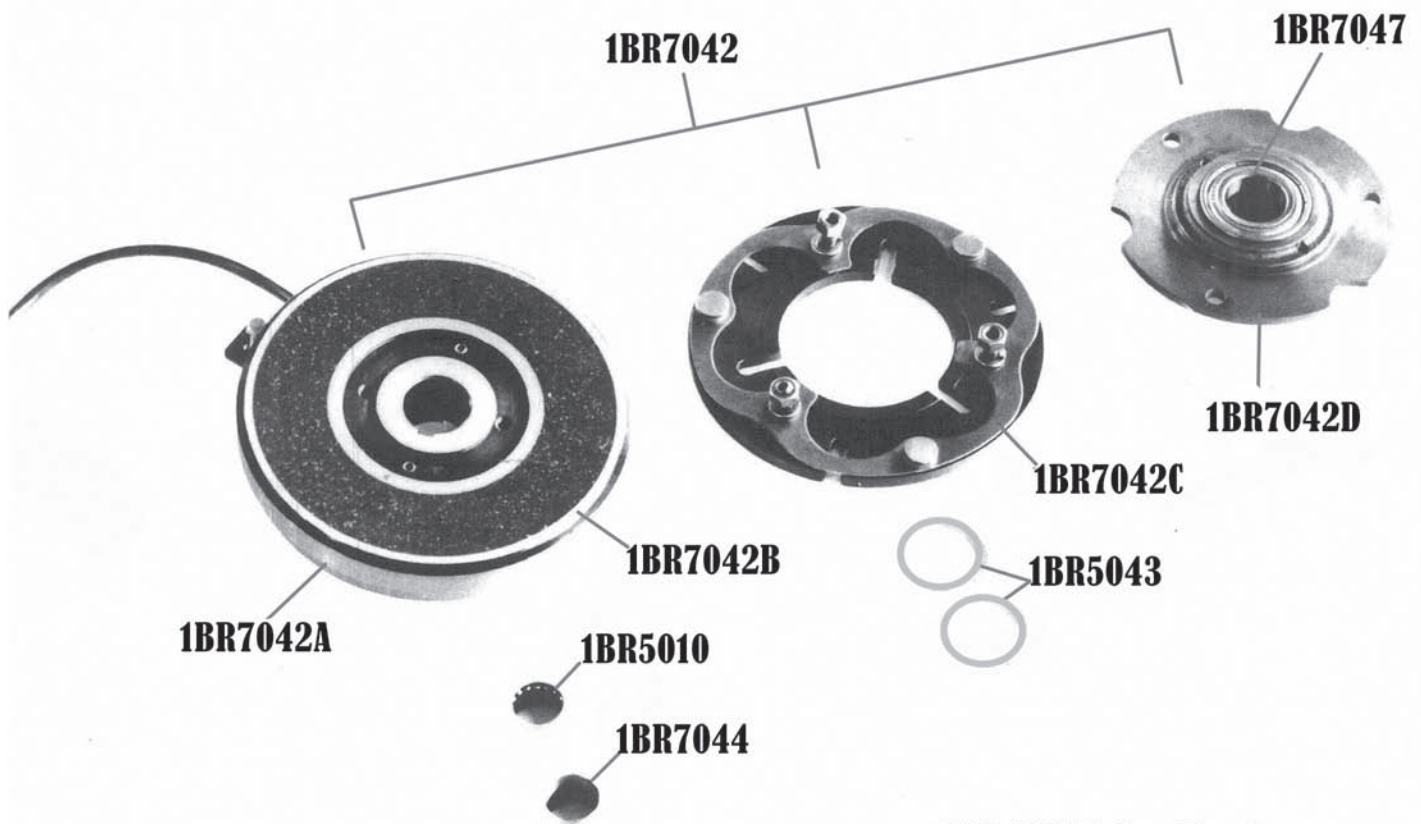
**DBD-32X Rebar Bender  
Adjustable Stopper Group**



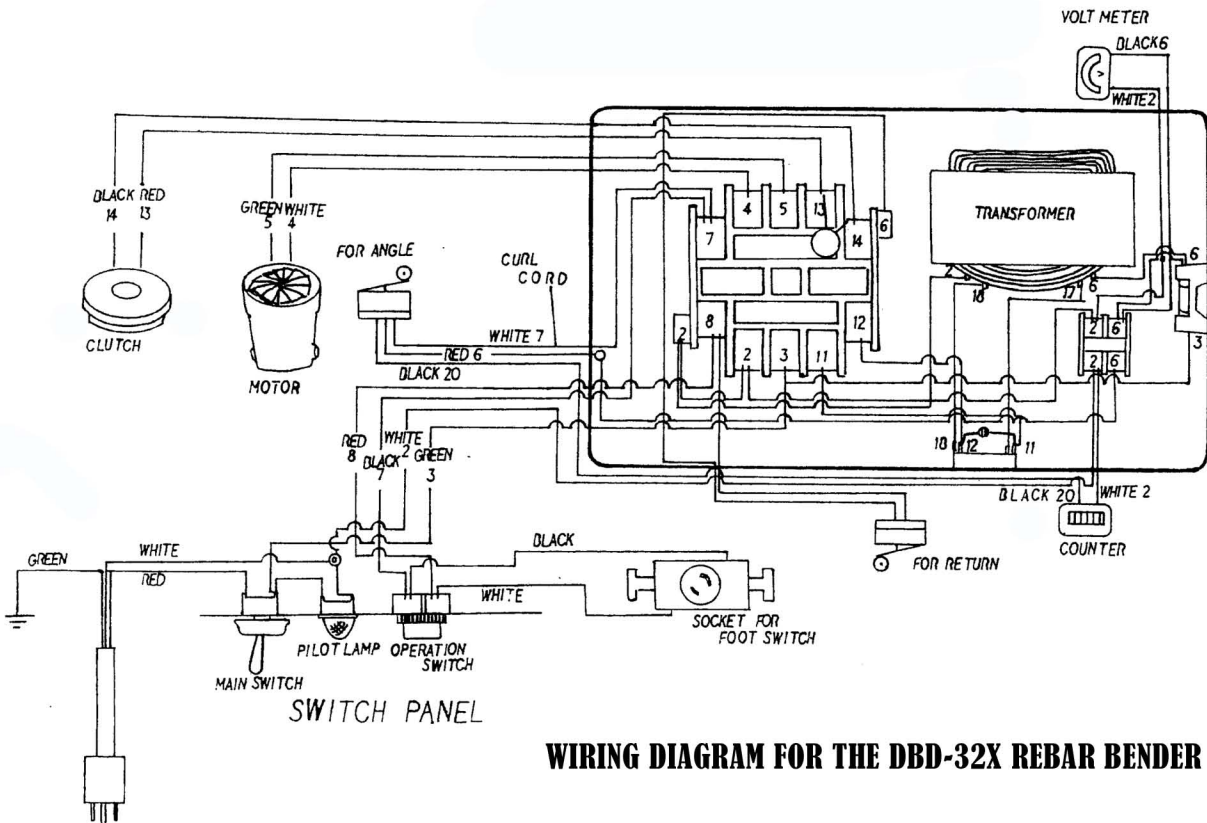
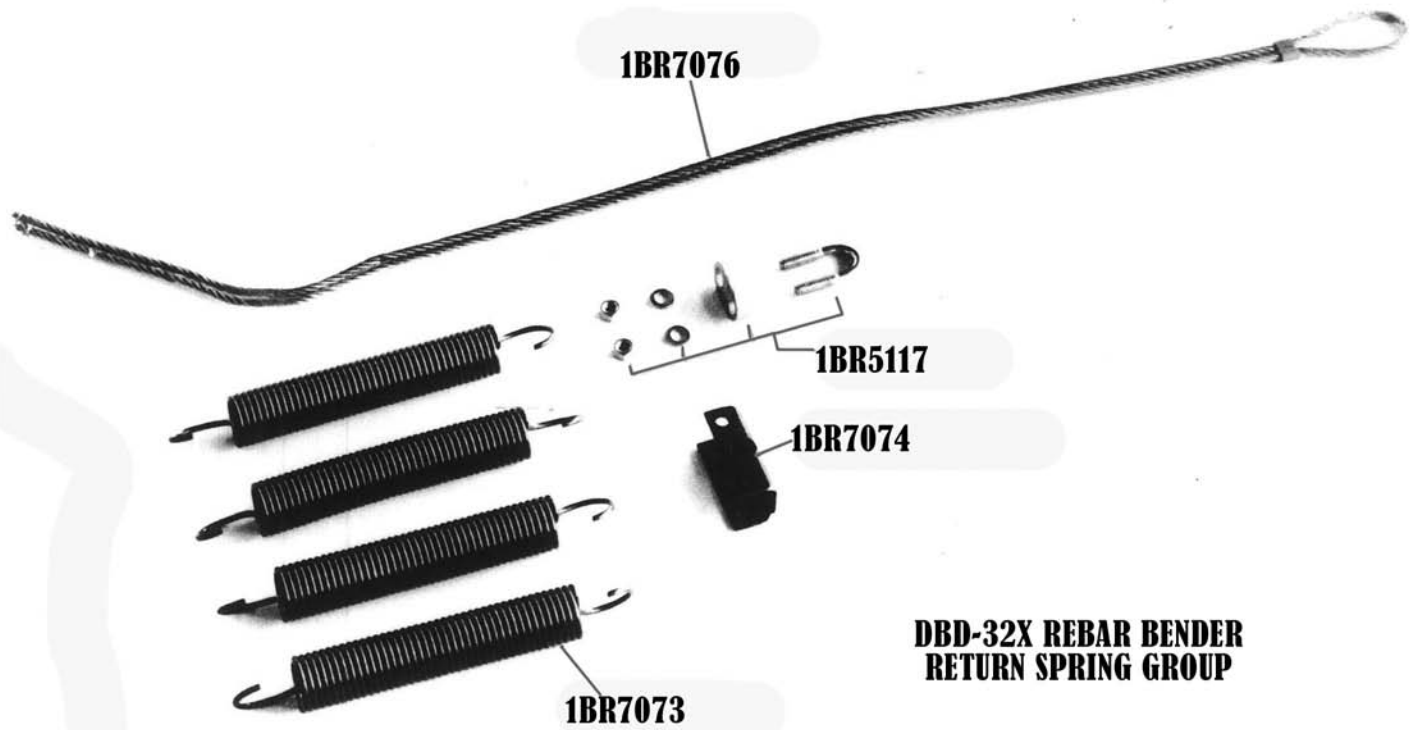
**DBD-32x REBAR BENDER  
MAIN SHAFT GROUP**

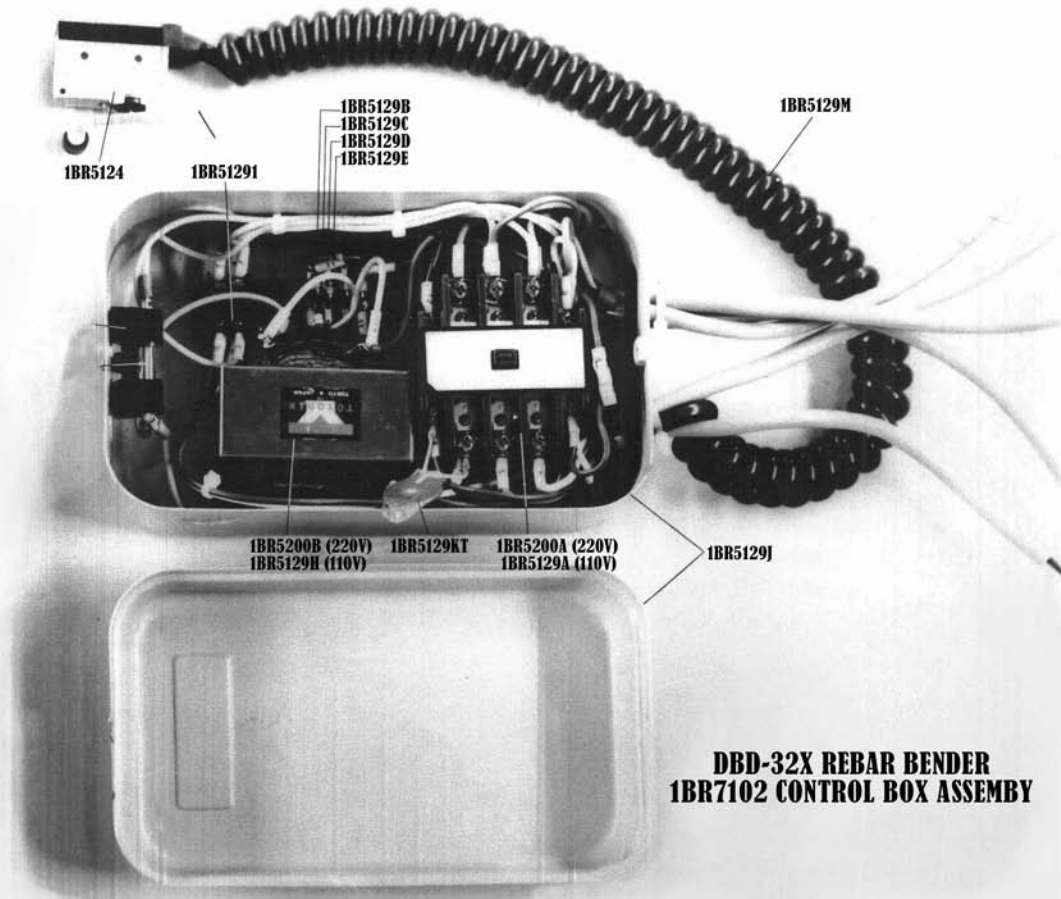


**DBD-32X REBAR BENDER  
GEAR CASE GROUP**



**DBD-32X Rebar Bender  
Clutch Group (Not Sold Separately)**





1BR5124  
 1BR51291  
 1BR5129B  
 1BR5129C  
 1BR5129D  
 1BR5129E  
 1BR5129M  
 1BR5129J  
 1BR5200B (220V)  
 1BR5129KT  
 1BR5200A (220V)  
 1BR5129H (110V)  
 1BR5129A (110V)

**DBD-32X REBAR BENDER  
1BR7102 CONTROL BOX ASSEMBLY**

**DBD-32X Rebar Bender  
Foot Switch & Electrical Panel Group**



1BR7102  
 1BR5130 (OPTION)  
 1BR5125  
 3CD012 ON/OFF PLATE  
 3CD111  
 1BR5126  
 1BR5127  
 1BR5128  
 1BR7202  
 1BR7201  
 1BRWF8215

**DBD-32X  
Rollers Set  
(T/Roller Set 2)**



**1BR7090  
No. 1**



**1BR7091  
No. 2**



**1BR70931  
No. 3**



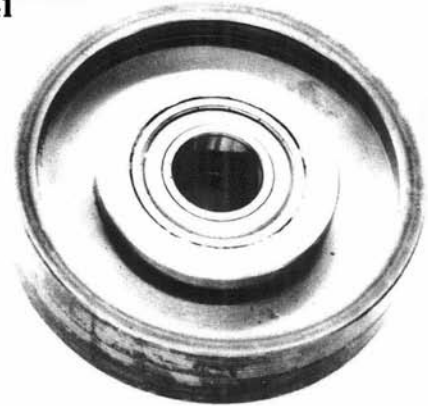
**1BR70941  
No. 4**



**1BR70951  
No. 5**



**1BR70961  
No. 6**



**1BR7097  
No. 7**

**DBD-25H**

This heavy-duty portable bender helps to save valuable man-hours by effortlessly bending rebar up to #8 (1") Grade 60 at job sites or in your shop. This strong electrical-mechanical bender has two preset angle locks for repeating the same angle bend. The lever-type angle selector can be set to accurately bend any angle from 0-180 degrees. Bends (4) each #3 rebar, (3) each #4, (2) each #5 or #6 rebar and (1) #7 or #8 rebar at one time. The roller chart makes it easy to select the correct combination of rollers to achieve an inside bending diameter of six times the rebar diameter. An emergency stop switch and two lifting handles are standard features. The DBD-25H portable rebar bender comes complete with (9) bending rollers in two steel carrying cases, a tool kit, a bender cover, and a standard foot pedal control switch for hands-free bending. Optional circular pattern bending rollers are available. Benner-Nawman backs it with a one-year warranty.

DBD-25H Details	
Maximum Bending Diameter	#8 (1") (25mm) Grade 60
Bending Angle	0 – 180 degrees
Bending Speed	9 Seconds for 180 degree bend
Power Supply	115V 50/60Hz -15 amps
Weight	210 lbs. (95 kg)